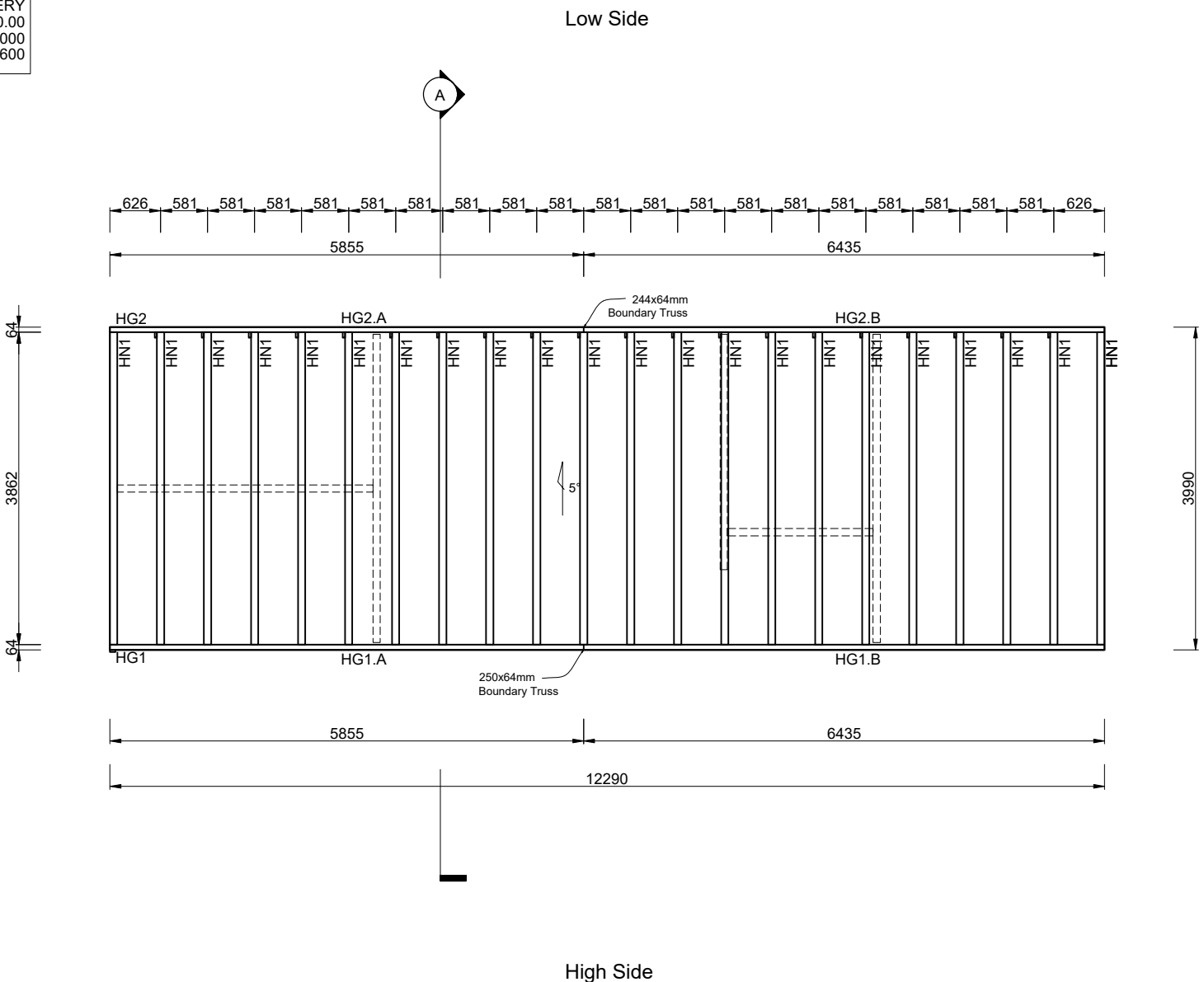


Truss Design Summary	
System Name	FC_SFSNZ
Design Code	AS/NZS 4600:2018
Loading Code	NASH NZ 2010
Roof Load	SHEET
Wind Speed	VERY
Snow Load	0.00
Roof Pitch	5.000
BC Restraints	600



STEEL FRAMES DIRECT .NZ
 www.steelframesdirect.co.nz
 contact @ steelframesdirect.nz
 Phone: (09) 889 8000, Text: (0292) 888 020

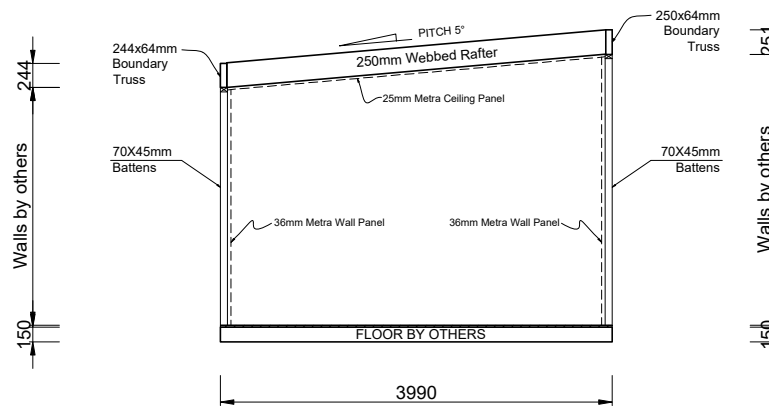
JOB DETAILS
12.29X3.99

SHEET CONTENTS
Roof Frame Layout

DRAWN
DWG FILE 12.29x3.99m

DATE DRAWN	SCALE
11-09-2023	1 : 75
VIEW NAME	ON
1 of 2	A4-Sheet

JOB REFERENCE	REVISION



**STEEL FRAMES
DIRECT .NZ**

www.steelframesdirect.co.nz

contact @ steelframesdirect.nz
Phone: (09) 889 8000, Text: (0292) 888 020

JOB DETAILS
12.29X3.99

SHEET CONTENTS
Left Elevation

DRAWN
DWG FILE
12.29x3.99m

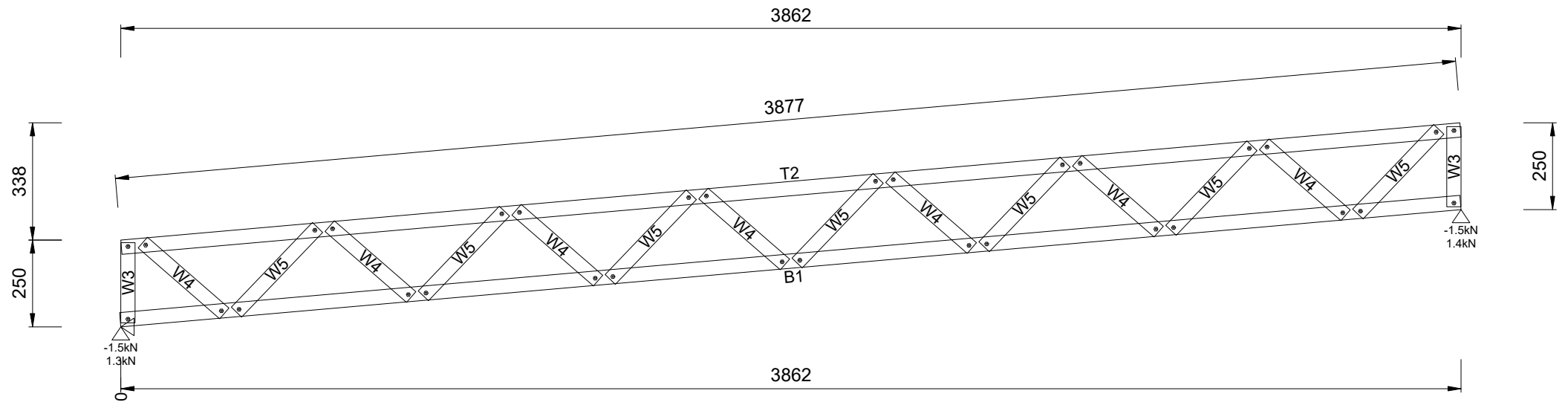
DATE DRAWN
11-09-2023
VIEW NAME
2 of 2

SCALE
1 : 75
ON
A4-Sheet

JOB REFERENCE

REVISION

Powered by FRAMECAD Structure ® Minimum number of fasteners required is 2 per joint



Quantity Required = 22 Mark as HN1 Engineering Status = 48%

System Name:	FC_SFSNZ	Roof Type:	SHEET	Truss Model:	Default	Wind Speed:	VERY
Truss Pitch:	5.000	Truss Spacing:	581	Design Code:	AS/NZS 4600:2018	Loading Code:	NASH NZ 2010
Top Chord Live Load (kPa):	0.25	Top Chord Dead Load (kPa):	0.12	Bottom Chord Dead Load (kPa):	0.14	Envelope:	588h x 3878w

B1 64S45-075-550 1 5855
 W5 64S45-075-550 2 227
 Working Sheet: 64mm- Boundary Truss

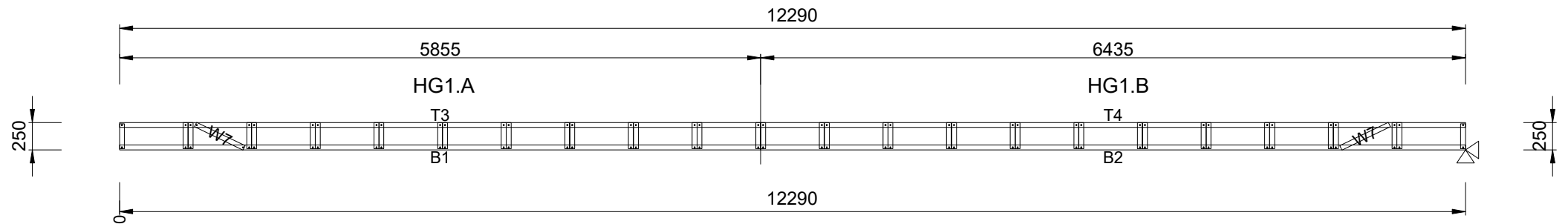
B2 64S45-075-550 1 6435
 W6 64S45-075-550 40 239
 Assembly Weight 36.6kg

T3 64S45-075-550 1 5855
 W7 64S45-075-550 2 492

T4 64S45-075-550 1 6435
 FRAMECAD 10g-19mm XDrive 172

Powered by FRAMECAD Structure ®

Minimum number of fasteners required is 2 per joint



Quantity Required = 1 Mark as HG1 Engineering Status = Non Structural

System Name:	FC_SFSNZ	Roof Type:	SHEET	Truss Model:	M20 64mm LE System	Wind Speed:	VERY
Truss Pitch:	0.000	Truss Spacing:	600	Envelope:	255h x 12290w		

Company Name	Dwg 12.29X3.99m	View 1 of 2	Client :12.29X3.99	J/No.
--------------	-----------------	-------------	--------------------	-------

B1 64S45-075-550 1 5855
 W5 64S45-075-550 2 221
 Working Sheet: 64mm- Boundary Truss

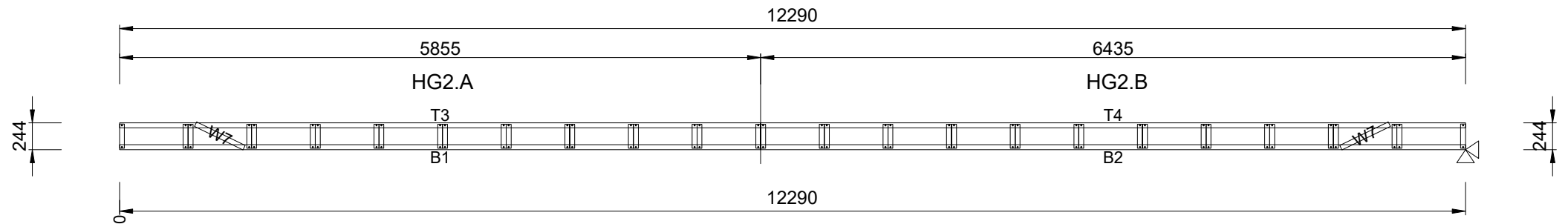
B2 64S45-075-550 1 6435
 W6 64S45-075-550 40 219
 Assembly Weight 35.8kg

T3 64S45-075-550 1 5855
 W7 64S45-075-550 2 492

T4 64S45-075-550 1 6435
 FRAMECAD 10g-19mm XDrive 168

Powered by FRAMECAD Structure ®

Minimum number of fasteners required is 2 per joint



Quantity Required = 1 Mark as HG2 Engineering Status = Non Structural

System Name:	FC_SFSNZ	Roof Type:	SHEET	Truss Model:	M20 64mm LE System	Wind Speed:	VERY
Truss Pitch:	0.000	Truss Spacing:	600	Envelope:	255h x 12290w		

Company Name	Dwg 12.29X3.99m	View 2 of 2	Client :12.29X3.99	J/No.
--------------	-----------------	-------------	--------------------	-------